

TSUP: Room-temperature transducer

How energy efficiency is improved

Accurate recording of room temperature in pneumatic installations for optimal control of HVAC systems.

Areas of application

Continuous pneumatic measurement and/or control of room temperature in combination with pneumatic control equipment (Centair).

Features

- Part of the Centair family of systems
- Conversion of room temperature into a standard 0.2 to 1.0 bar pneumatic signal
- Lid in thermoplastic with grey/white frame (RAL 9002) and pure-white front panel (RAL 9010)
- Compressed-air connection on plug nipple for flexible plastic hose int. \varnothing 4 mm
- Complies with directive 97/23/EC Art. 3.3 on pressure equipment

Technical description

- Supply pressure 1.3 bar \pm 0.1
- Nozzle/ball system
- Linearity of output signal < 2%

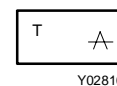
Type	Measuring range °C	Output pressure bar	Weight kg
TSUP 1 F001	5...35	0,2...1,0	0,17
Supply pressure 1)		Permissible ambient temp.	0...70 °C
via external restrictor \varnothing 0,2 mm	1,3 \pm 0,1 bar	Connection diagram	A02781
Air capacity, air consumption	33 l _n /h	Dimension drawing	M303048
Linearity	< 2%	Fitting instructions	MV 23153
Time constant (0,2 m/s)	5 min		

Accessories

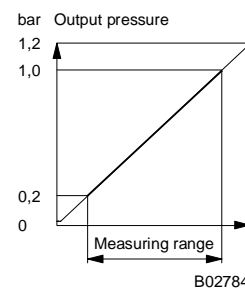
- 0296218 000*** Buckle-proof adaptor for push-on fitting.
- 0296990 000*** Buckle-proof adaptor for screw-type fitting; see MV 7322.
- 0303124 000*** Recessed junction box.
- 0310315 000*** Surface junction box.

*) Dimension drawing or wiring diagram are available under the same number

- 1) In the RCP and RPP 20 controllers, the restrictors (\varnothing 0,2 mm) are fitted at inputs 3 and 4.
See Section 60 on regulations concerning the quality of supply air, especially at low ambient temperatures.



Y02810



B02784

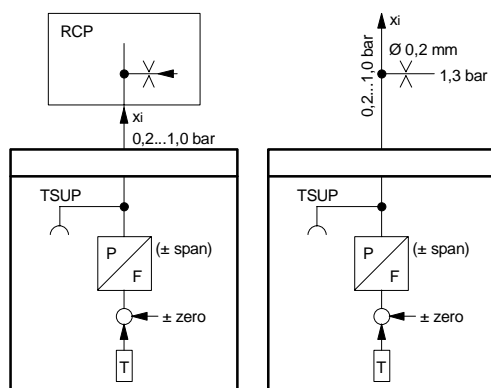
Operation

As the temperature rises, the bimetal strip bends and exerts a corresponding force on the nozzle-ball system. This converts the force into a pressure change. The output pressure increases as the temperature rises.

Technical information

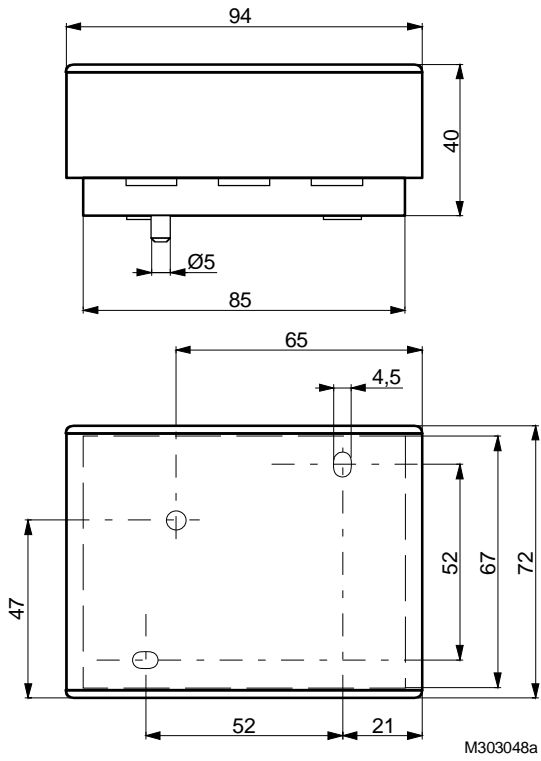
Technical manual: *centair* system 304991 003

Connection diagram

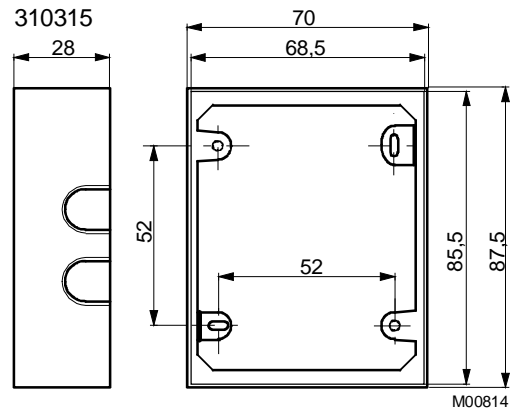


A02781

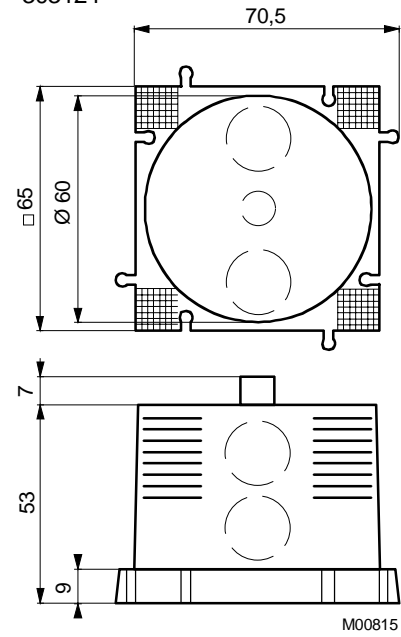
Dimension drawing



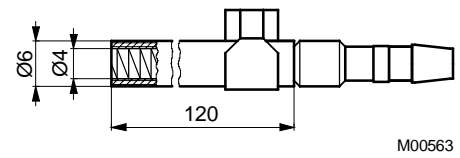
Accessories



303124



296218



296990

